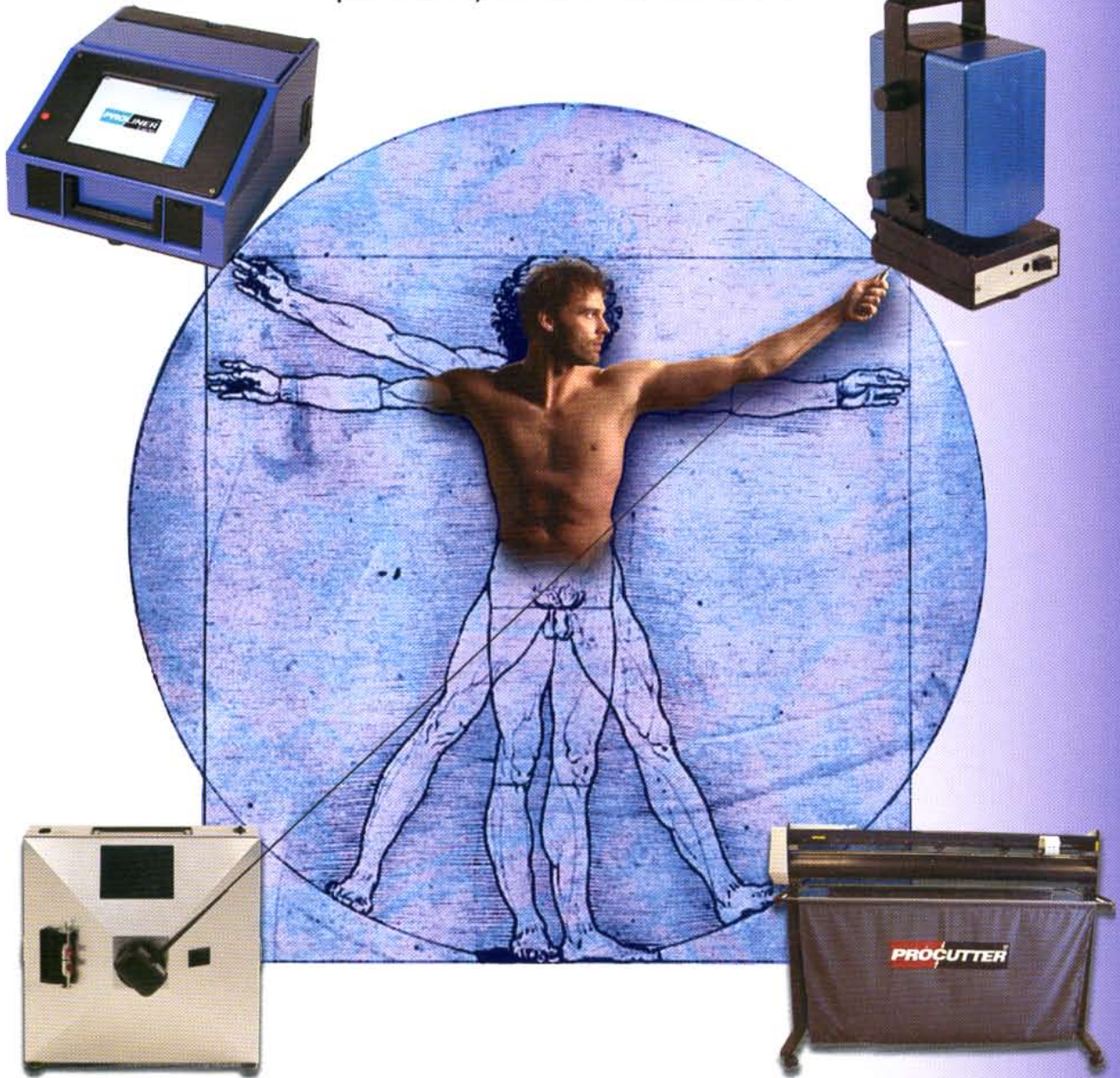


portable, flexible & efficient



Proliner® 8-Series

Measuring anytime, anywhere!



PROLINER®
8 series

PRODIM
INTERNATIONAL BV

Proliner® 8-Series, a new mobile generation of 3D Measurement

Templating requires many hours measuring on-site kitchen countertops, (contoured) windows, granite floors, stairs and other complex 2-or 3D shapes. Are you looking for an easy solution that helps you measure more efficiently and accurately, without having to take a truck load of tools on-site?

Accurate 2- and 3D Measurements

The Proliner® 8-Series is capable of making accurate 2-or 3D measurements by marking relevant points with a pen. The pen registers the X-Y-Z co-ordinates of the desired shape, then translates these co-ordinates directly into a digital DXF CAD file. The Proliner® 8-Series is capable of measuring individual points and contours.



Flexibility

A convenient AC connection or rechargeable batteries, provide optimal power flexibility. The Proliner® 8-Series provides a USB port for easy direct downloads onto a laptop, PDA or USB memory stick, while being on the job site. The Proliner® 8-Series is also equipped with an Ethernet port for network connections.



Easy to Use

The Proliner® 8-Series has been enhanced with a large 8.4" display touch screen providing an easy and immediate visual of the digital template. The menu structure provided with the Proliner® 8-Series is very simple to use for drawing quick and accurate digital templates with minimal training.

No laptop needed!

The Proliner® 8-Series now has extensive integrated CAD software options making it possible to complete a drawing on the job site with basic steps such as, trimming, fillet, radius and offsets. With those easy commands, exact overhangs can be added, corners can be connected or create a radius. Measurements can be verified prior to leaving the job site for complete accuracy. The Proliner® 8-Series is the only tool needed on the job site.

Efficiency

The Proliner® 8-Series is very small and compact, but has a lot of extra storage space. It is possible to carry two spare batteries, a digital camera, different add-ons, and there is still space left for other items.





Transportability

The Proliner® 8-Series is small and compact with extra storage space. It can store two spare batteries, a digital camera and different accessories with extra space left over for other items. Its' 8 kilos and slender shape make it no problem to transport the unit to in a small car or on the back of a motorcycle. The Proliner® 8-Series is a totally self contained unit with the possibility of folding the measuring head into the unit for optimal protection.



User Friendly

The design of the Proliner® 8-Series is advanced, in both looks and functionality. It has been manufactured to provide maximum stability and durability. The 8.4" touch screen is easy read. The integrated speakers enable the user to adjust the beep-volume, while using in noisy working environments. A LED light indicates the battery level. The Proliner® 8-Series can be positioned on two sides, with or without a tripod, so the unit is always in a perfect position for optimal template measuring.

CNC Machines, Waterjets and CNC BridgeSaws

The Proliner® 8-Series can be used in combination with a CNC cutting machine, CNC bridge saw and CNC waterjet.

For the less automated companies, the digital file generated by the Proliner® 8-Series can be sent to a plotter cutter to produce a physical template using vinyl or paper.



Software Extensions

The Proliner® 8-Series will support different software packages such as:

1. Quality Control Software
2. Calculation Software for quotation and order processing.

This software can be added to the unit.

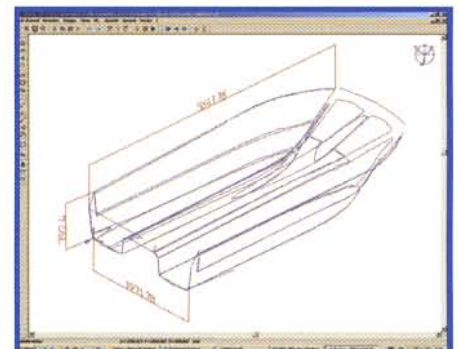


Technical Specifications

Dimensions:	190 X 380 X 325 mm
Weight:	8,5 Kg
Reach:	7 Meter radius, diameter 14 Meters; larger surfaces with positioning triangle and leapfrog software
Rotation horizontal:	400°
Accuracy:	+/- 0.3mm on 2m, or +/- 0.6mm on 5m
Scanspeed:	10 pts / sec
Power:	220 V / 110 V - 50 / 60 Hz.
Battery:	10.8 V
Battery capacity:	3200 mAh.
Screen size:	8.4"
Connectors:	USB 2X, Keyboard, UTP
Temp. range:	-10°C > 40°C (14°F > 104°F)
Rel. humidity:	10 - 92,5% (not condensed)

Summerized advantages :

1. **Digital templates in a couple of minutes**
2. **Compact and portable, to take anywhere**
3. **3D measuring unit; positioning is not important**
4. **Easy to use; minimal training required for proficiency**
5. **Digital templates can be viewed immediately**
6. **The results can be imported into several CAD programs through a DXF file**
7. **Dimensions can verified prior to leaving the job site**
8. **Drawings can be completed with the integrated cad prior to leaving the job site**
9. **Shock resistant**
10. **Excellent accuracy**



Official Proliner® 8-Series Dealer



PO Box 107, 5700 AC Helmond,
The Netherlands
T: +31 (0)492 579050 F: +31 (0)492 579059
www.prodim.nl, info@prodim.nl